

INTENTA

ADVANCED RECOGNITION COMPONENTS



Intenta S1000 people counter

Intelligent 3D-Vision Sensor

EN | 2019

Intenta S1000 people counter

With the **Intenta 1000 people counter** Intenta adds a true specialist for people and customer counting to its intelligent sensor portfolio.

The functionality of the **Intenta S1000 people counter** is based on the stereo vision concept and the proven algorithms of our multifunctional sensors (S2000/S2100) - specially fitted with the essential features for counting applications. This makes it an easy to integrate and at the same time cost-effective option for people counting and dwell-time measurement.

Application areas reach from the retail sector (queue detection, recognition of movement patterns and points of interest, ...) to applications in public areas (visitor counting for trade fairs, public institutions or museums, ...).

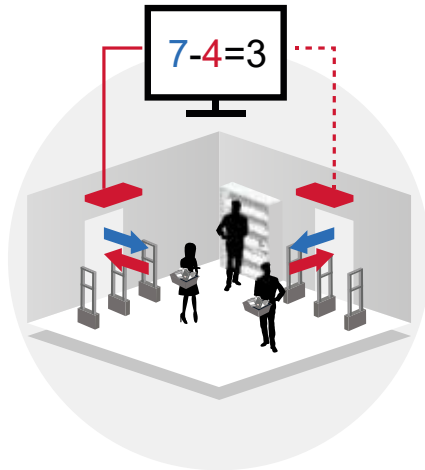
Just as our whole sensor product range - the **Intenta S1000** guarantees high personal data security through integrated image processing. The storage and transmission of personally identifiable information is not necessary.



The solution at the point of sale

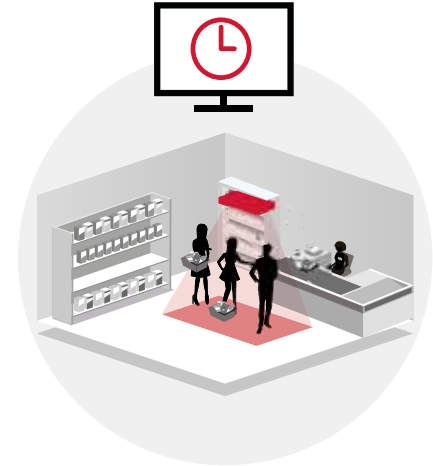
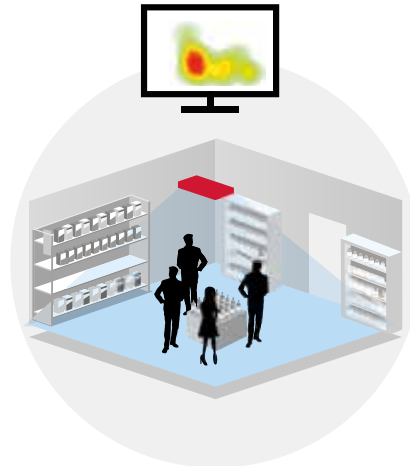
People Counting

- Measurement of **customer frequency** at entrances/exits
- Calculation of **conversion rate***
- **Customer statistics in real time** for flexible staff management



Dwell-Time Measurement

- Performance measurement of **product placements**
- **Evaluation of promotions**, e.g. special offer displays



Behavior Analysis

- Detection of **movement patterns** for optimization of shop layout
- Calculation of **capture rate***

Queue Detection

- **Queue length** detection at the checkout
- Measurement of **waiting time**
- **Automatic signalisation** for efficient staff management

* Intenta S1000 provides data for your analysis tool

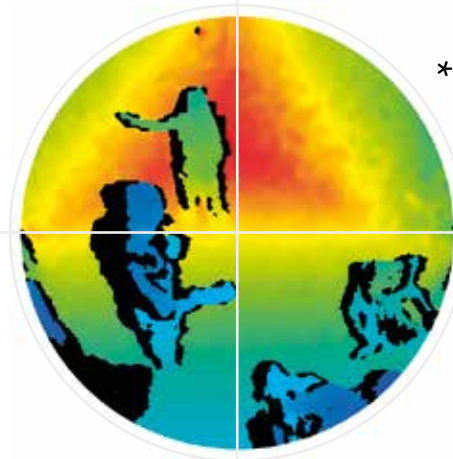
Your benefits

3D 3D-Vision Technology

- ✓ Individual person detection, even if partially concealed
- ✓ Reliable detection even under changing light conditions
- ✓ Classification of adults, children and objects
- ✓ 99% counting accuracy

Embedded System

- ✓ Real-time analysis
- ✓ Operation possible without transmission of personally identifiable information
- ✓ No additional computer technology required



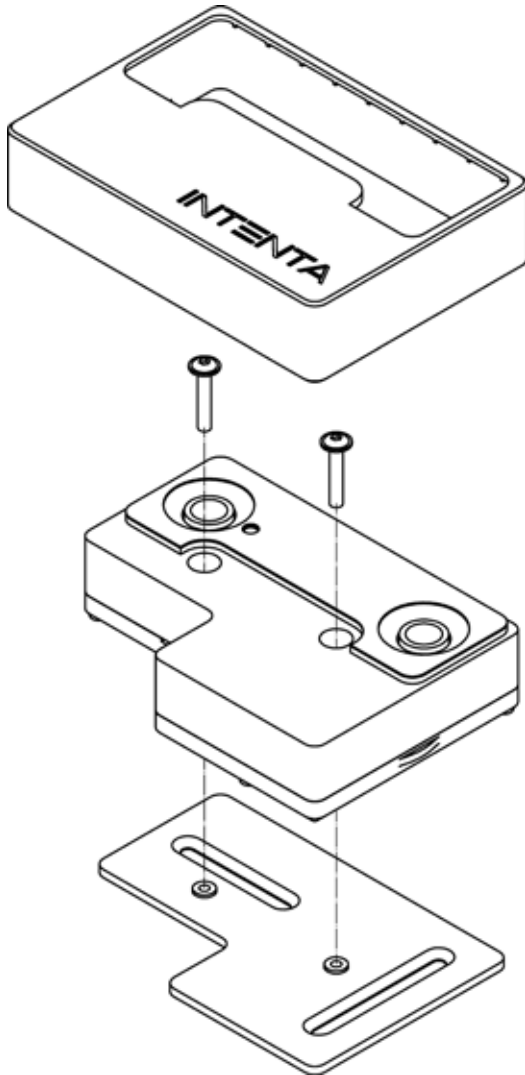
Intuitive Management

- ✓ Simple installation
- ✓ Fully automatic calibration
- ✓ Configuration via web interface
- ✓ Remote diagnosis and maintenance
- ✓ Self diagnosis (incl. dirt and occlusion detection)

Varied Possible Applications

- ✓ Universal interfaces
- ✓ Simple integration into existing systems via API
- ✓ Functional design
- ✓ Power over ethernet

The solution for retail applications



Intenta S1000 **people counter**

Power Supply	Power over Ethernet (IEEE 802.3af)
Power consumption	max. 5W
EMC	EN55022
Ethernet	1000MBit, RJ45
Mounting Height	2.20 - 5.0 m
Housing material	Aluminium & Plastic
Protection class	IP 20
Dimensions (L x W x H)	132 x 91 x 35 mm
Weight	ca. 350g
WiFi	optional
Logical Protocols	IPv4, TCP, UDP, HTTP, HTTPS, DHCP, DNS, 802.1x

INTENTA

ADVANCED RECOGNITION COMPONENTS

Intenta GmbH
Ahornstraße 55
09112 Chemnitz, Germany
Phone: +49 (0) 371 24354 0
E-Mail: vertrieb@intenta.de
www.intenta.de